



# WORLDWIDE ELECTRIC MOTOR DATA SHEET

## NT2-18-56CB



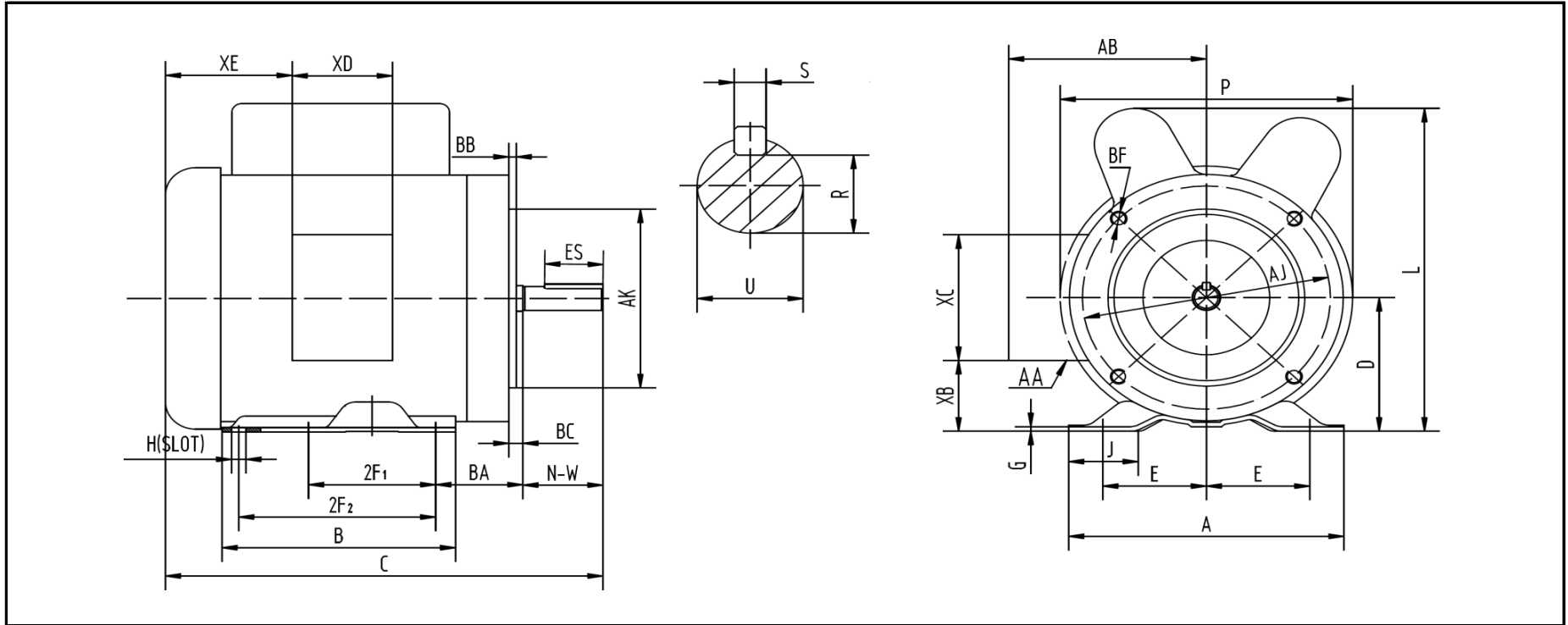
FREQUENCY	<b>60 HZ</b>		
HORSEPOWER	<b>2</b>		
RPM / POLES	<b>1800 / 4</b>		
VOLTAGE / PHASE	<b>115/208-230 V / 1</b>		
FULL LOAD AMPS; 115 / 230	<b>19.6 / 10.4-9.8 A</b>		
FULL LOAD SPEED	<b>1725 RPM</b>		
SERVICE FACTOR	<b>1.15</b>		
FRAME	<b>56HC</b>		
ENCLOSURE / DEGREE OF PROTECTION	<b>TEFC / IP43</b>		
INSULATION CLASS	<b>F</b>		
EFFICIENCY / POWER FACTOR	<u>LOAD</u>	<u>EFF.</u>	<u>P.F.</u>
	<b>100%</b>	<b>79.0%</b>	<b>0.82</b>
DUTY CYCLE	<b>Continuous</b>		
MAX. AMBIENT TEMPERATURE	<b>40° C</b>		
MAX. ELEVATION	<b>3300 Ft. Above Sea Level</b>		
TEMPERATURE RISE (At Full Load)	<b>80° C</b>		
DE BEARING	<b>6203</b>		
ODE BEARING	<b>6203</b>		
REGREASING INT. - DE BEARING	---		
REGREASING INT. - ODE BEARING	---		
GREASE TYPE	<b>Mobil Polyrex EM</b>		
MOUNTING	<b>F1</b>		
ROTATION	<b>Bi-Directional</b>		
CONNECTION DIAGRAM	<b>115/230 V - 6 Lead</b>		
APPROXIMATE WEIGHT	<b>44 lbs.</b>		
INVERTER RATING	---		
START CAPACITOR	<b>800UF/165V</b>		
RUN CAPACITOR	<b>40UF/250V</b>		





# WORLDWIDE ELECTRIC MOTOR DRAWING

## NT2-18-56CB



**DIMENSIONS - INCHES**

MOUNTING					A	B	C	D	G	J	L	P	AB	BC
E	2F1	2F2	H	BA										
2.44	3	5	0.34	2.75	6.54	6.54	13.9	3.5	0.12	1.65	8.7	8.2	5.2	-0.19

KEY		KEYSET		FLANGE				SHAFT		TERMINAL BOX				
S	ES	R	AK	AJ	BF	BB	N-W	U	AA	XB	XC	XD	XE	
0.188	1.41	0.517	4.5	5.875	3/8-16	0.16	1.88	0.625	3-0.88 / 2-1.109	1.65	3.7	3.2	2.15	